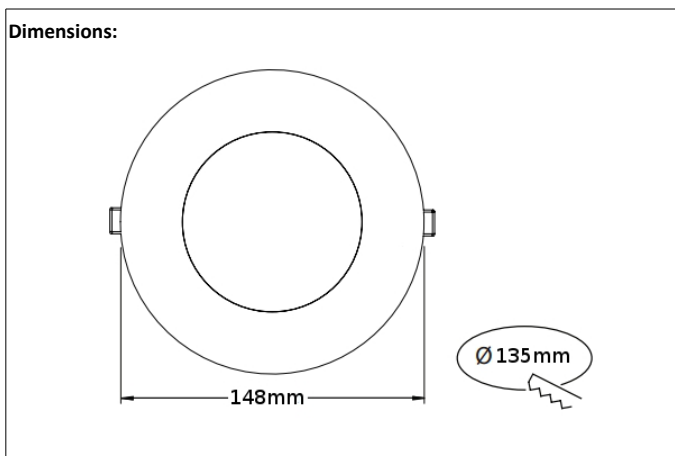




28W LED anti-glare lamp (Samsung)

28W LED anti-glare lamp is an extremely efficient multi-functional lighting system and an excellent replacement sources MH 30W. Replaces traditional incandescent and halogen lamps up to 150W. The lamp has a brightness control functions using an external power supply (optional).

The product is also characterized by a unique design, designed according to the latest trends. The module can be used in shopping malls, showrooms, libraries, etc. A wide range of angles of illumination meet all the expectations of the designers on lighting solutions.



SAMSUNG TRIDONIC

Code*	CCT/CRI:	Φ Fixture:	Housing:
535-140-7x930S	4000K/90	2300lm	white
535-940-7x930S	4000K/90	2300lm	black
535-135-7x930S	3500K/90	2255lm	white
535-935-7x930S	3500K/90	2255lm	black
535-130-7x930S	3000K/90	2190lm	white
535-930-7x930S	3000K/90	2190lm	black

*x (beam angle) 1-15°, 2-24°, 3-36°, 4-45° (eg. 535-140-74930S = 45°)

Parameters:
power factor (PF): >0,95
power: 28W
voltage: 230V AC (via 700mA driver)
beam angle: 15°, 24°, 36°, or 45°
light source: COB LED Samsung (LC026D2)
efficiency: up to 82lm/W
SDCM: 2
lifespan L80/B50/C10: 40.000 hours (according to IEC 62717 norm)
operating temperature range: from 0°C to +30°C
CRI: CRI90(R9>50)
IP rate: IP20

Dimensions:
diameter: 148mm
height: 120mm
cut hole: 135mm

Material:
aluminium housing + PCV
weight: 0,65kg

photometric data presented with a tolerance +/- 7%

