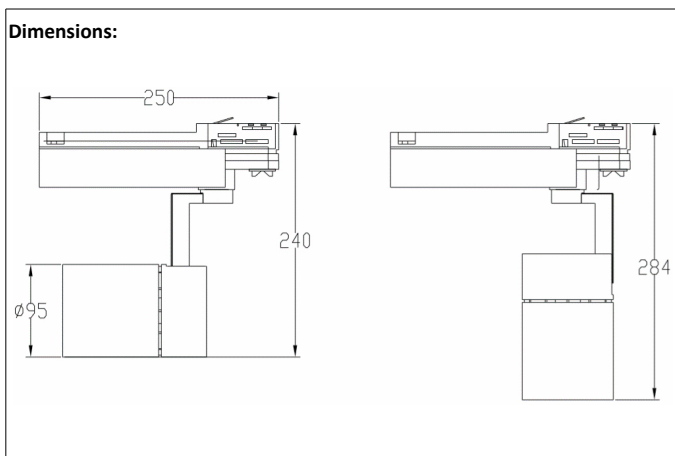




LED Track Light L2 40W (Samsung)

L2 LED luminaire is an option for customers who are looking for alternatives of 70W metal halide luminaires mounted on the 3-phase lighting tracks. The solution is a functional replacement which delivers the equivalent amount of light at a significantly reduced demand for electricity. Heart of the fixture, is the LED COB module made by Samsung

Fixture is available in many variants - resulting from a combination of parameters.



SAMSUNG TRIDONIC

Code*:	CCT/CRI:	Φ Fixture/LED:	Housing:
522-140-1x900S	4000K/90	3785/5030lm	white
522-940-1x900S	4000K/90	3785/5030lm	black
522-135-1x900S	3500K/90	3705/4930lm	white
522-935-1x900S	3500K/90	3705/4930lm	black
522-130-1x900S	3000K/90	3600/4785lm	white
522-930-1x900S	3000K/90	3600/4785lm	black

*x (beam angle)
1-15°, 2-25°, 3-35°, 4-45°, 6-60° (e.g. 522-140-14900S = 45°)

Additional picture:



Parameters:
 power factor (PF): >0,95
 power LED/fixture: 36W/40W
 voltage: 230V AC (via 3-phase track)
 beam angle: 15°, 25°, 35°, 45°, or 60°
 light source: COB LED Samsung (LC026D2)
 lifespan L80/B10/C10: 40.000 hours (according to IEC 62717 norm)
 CRI: CRI90
 compatible with track lights: GLOBAL trac, Unipro, etc.

Dimensions:
 diameter: fi 95mm
 length: 250mm
 height: 284mm

Material:
 aluminium housing + PCV

Accessory:
 Honeycomb (code: 52-45-992) – can be combined only with 60° lenses
 "Barn door" (code: 52-45-990)



photometric data presented with a tolerance +/- 5%

