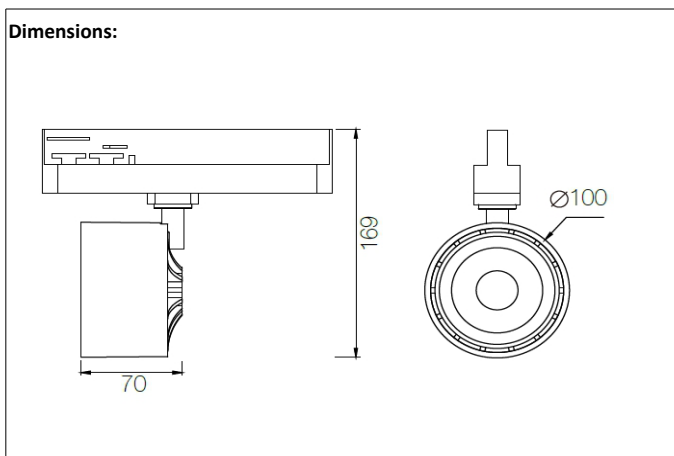




D3 LED Track Light 28W (Samsung)

D3 LED luminaire is an option for customers who are looking for alternatives of metal halide luminaires mounted on the 3-phase lighting tracks. The solution is a functional replacement which delivers the equivalent amount of light at a significantly reduced demand for electricity. Heart of the fixture, is the LED COB module made by Samsung. Fixture is available in many variants - resulting from a combination of parameters.



SAMSUNG

OSRAM

Code*:	CCT/CRI:	Φ Fixture/LED:	Housing:
403-140-7x910S	4000K/90	2675/3555lm	white
403-940-7x910S	4000K/90	2675/3555lm	black
403-135-7x910S	3500K/90	2620/3485lm	white
403-935-7x910S	3500K/90	2620/3485lm	black
403-130-7x910S	3000K/90	2545/3385lm	white
403-930-7x910S	3000K/90	2545/3385lm	black

*x (beam angle) 2-24°, 3-36° (eg. 403-140-72910S = 24°)

Additional picture:



Parameters:
 power factor (PF): >0,95
 power LED/fixture: 25W/28W
 voltage: 230V AC (via 3-phase track)
 beam angle: 24° or 36°
 light source: COB LED Samsung (LC026D2)
 lifespan L80/B10/C10: 40.000 hours (according to IEC 62717 norm)
 CRI: CRI90(R9>50)
 compatible with track lights: GLOBAL trac, Unipro, etc.

Dimensions:
 diameter: 100mm
 length: 70mm
 height: 169mm

Material:
 aluminium housing + PCV

