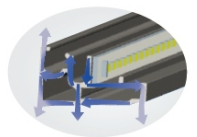
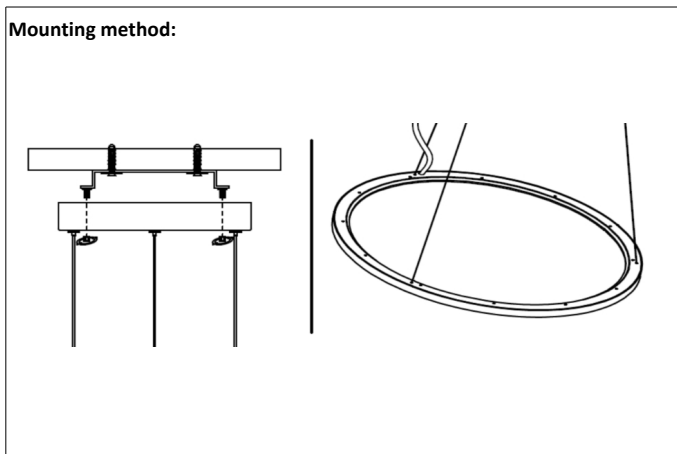




LED Panel 72W 800mm

Suspended LED panel luminaire in a round version with a diameter of 800mm. The luminaire is characterized by a low glare, very high efficiency, and uniformity of lighting. CCT: 3500K (+/- 300K) with a color rendering index of CRI> 90.



Heat dissipation system

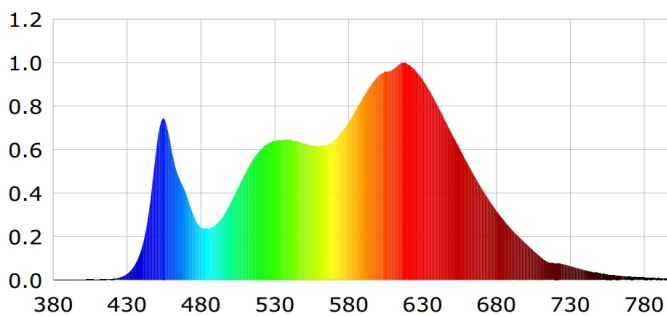
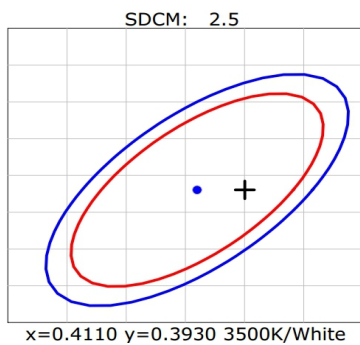
TRIDONIC

Code: 39-82-211 **CCT/CRI:** 3500K/90 **Power fixture/LED:** 72W/65W **Ø Fixture/LED:** 6360/7650lm

Parameters:
voltage: 200-240V AC (via external Tridonic LED drivers)
light source: 2835 LED chips
CRI: >90
beam angle: 140°
IP rate: IP20
UGR<19
working temperature: from -20°C to +40°C
lifespan L80/B50/C10: 30.000h (according to IEC 62717)

Dimensions:
diameter: 800mm
height: 20mm
suspensions length: 2000mm

Material:
aluminium housing
plastic diffuser



photometric data presented with a tolerance +/- 5%

